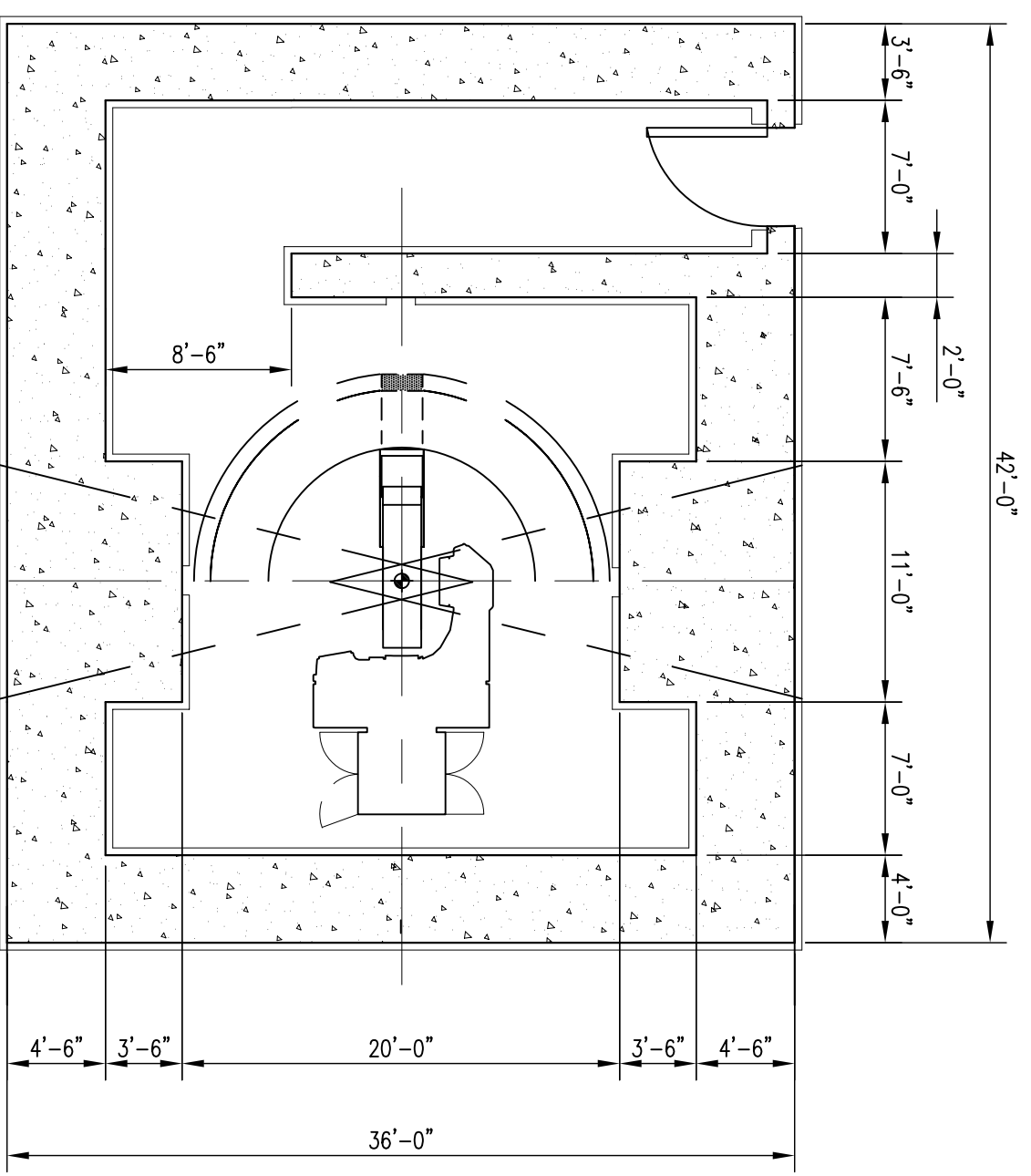
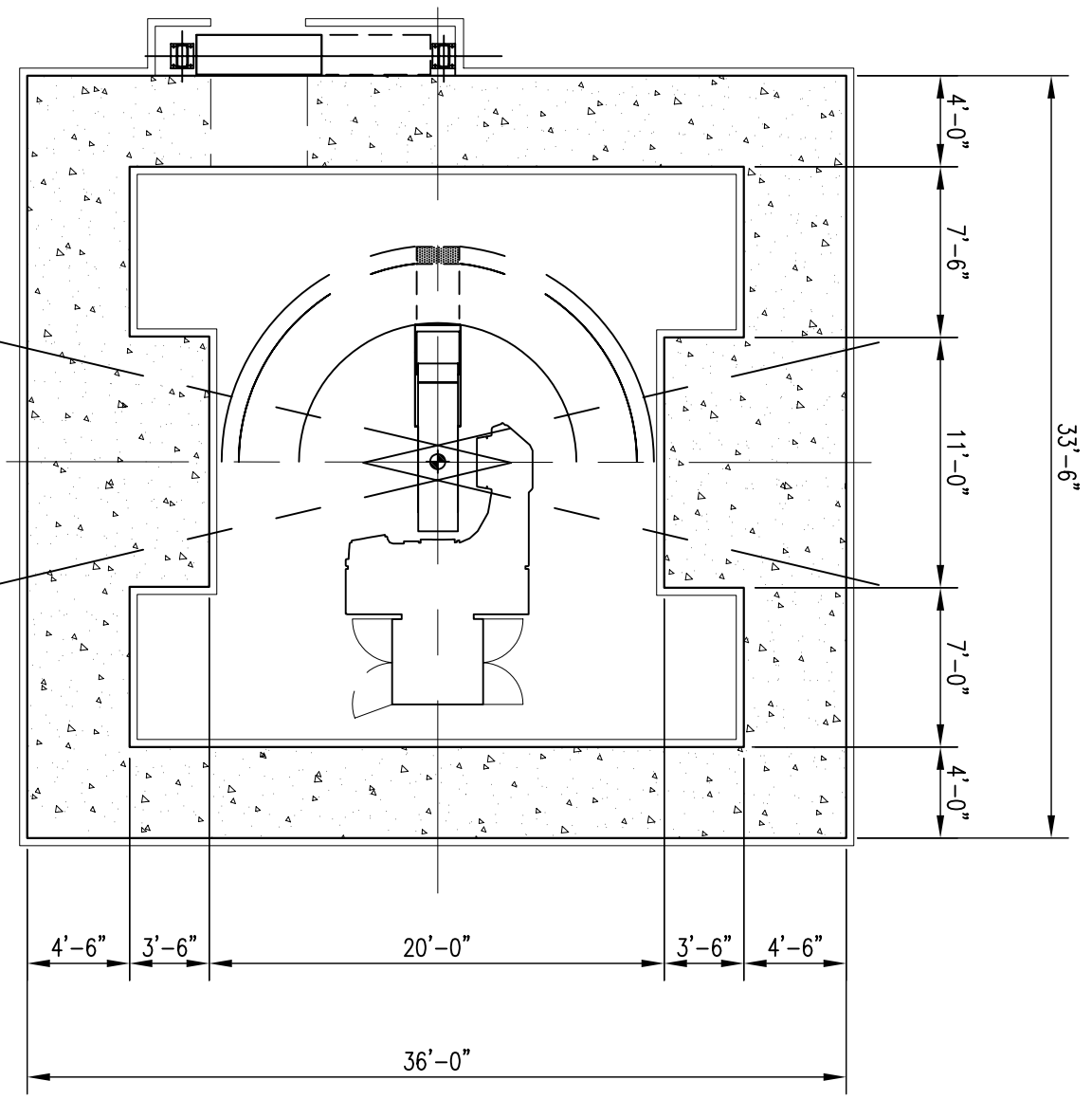


MAZE VS. MAZELESS LINAC VAULTS



ACCELERATOR VAULT WITH MAZE

SCALE: $\frac{1}{8}'' = 1'-0''$



ACCELERATOR VAULT WITHOUT MAZE

SCALE: $\frac{1}{8}'' = 1'-0''$

ISSUE INFORMATION	
Issued	
Drawn	SW/SW
Job	N/A
Scale	As Noted
Drawing Number	